

WINDOW SCHEDULE

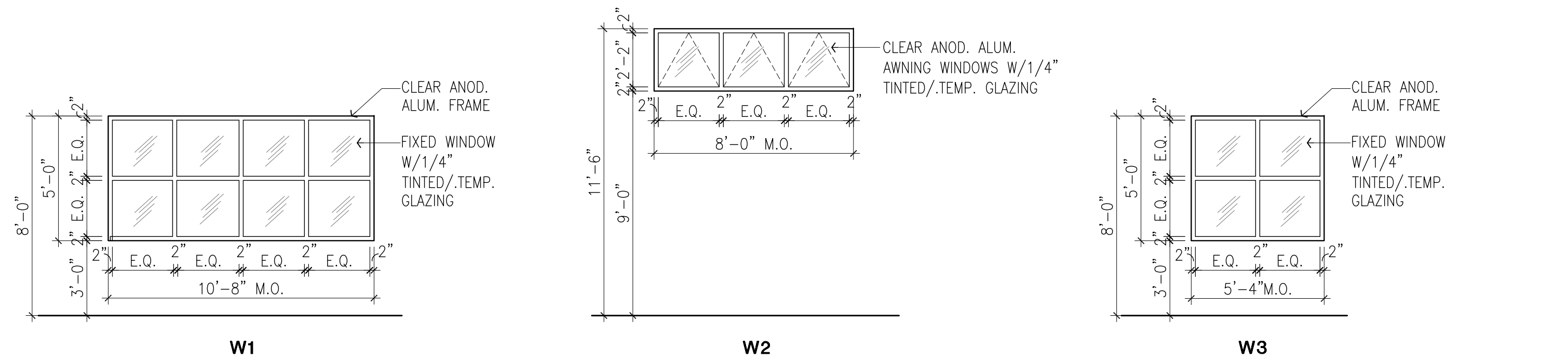
WINDOW TYPE	SIZE	DESCRIPTION	REMARKS
W1	64" X 60"	FIXED ALUM./GLASS	CLEAR ANODIZED FRAMES
W2	128" X 60"	FIXED ALUM./GLASS	CLEAR ANODIZED FRAMES
W3	208" X 30"	AWNING WINDOWS	CLEAR ANODIZED FRAMES

ROOM FINISH SCHEDULE

ROOM NO.	ROOM NAME	FLR. FIN.	BASE	WALLS				CEILING	REMARKS
				N	S	E	W		
101	LOBBY	PORCELAIN TILES	4" PORCELAIN BULLNOSE	GYP. BD. PTD.	GYP. BD. PTD.	GYP. BD. PTD.	GYP. BD. PTD.	A.C.T./GYP. BD. PTD.	ALIGN TILE FLOOR & BASE GROUT LINES
102	OFFICE	CARPET	4" VINYL	GYP. BD. PTD.	GYP. BD. PTD.	GYP. BD. PTD.	GYP. BD. PTD.	A.C.T.	
103	OPEN OFFICES	PORCELAIN TILES	4" PORCELAIN BULLNOSE	GYP. BD. PTD.	GYP. BD. PTD.	GYP. BD. PTD.	GYP. BD. PTD.	A.C.T.	ALIGN TILE FLOOR & BASE GROUT LINES
104	CORRIDOR	PORCELAIN TILES	4" PORCELAIN BULLNOSE	GYP. BD. PTD.	GYP. BD. PTD.	GYP. BD. PTD.	GYP. BD. PTD.	A.C.T.	ALIGN TILE FLOOR & BASE GROUT LINES
105	SUPPLY ROOM	V.C.T.	4" VINYL	GYP. BD. PTD.	GYP. BD. PTD.	GYP. BD. PTD.	GYP. BD. PTD.	A.C.T.	
106	MECH. RM.	SEALED CONC.	4" VINYL	GYP. BD. PTD.	GYP. BD. PTD.	GYP. BD. PTD.	GYP. BD. PTD.	PLASTER PTD.	
107	TOILET ROOM	CER. TILES	6" CER. TILES	CER. TILE ON CEM. BD. OR GYP. BD.	CER. TILE ON CEM. BD. OR GYP. BD.	CER. TILE ON CEM. BD. OR GYP. BD.	CER. TILE ON CEM. BD. OR GYP. BD.	GYP. BD. PTD.	6'-0" C.T. WAINSCOT
108	CONFERENCE ROOM	CARPET	4" VINYL	GYP. BD. PTD.	GYP. BD. PTD.	GYP. BD. PTD.	GYP. BD. PTD.	A.C.T./GYP. BD. PTD.	
109	CLASSROOM	V.C.T.	4" VINYL	GYP. BD. PTD.	GYP. BD. PTD.	GYP. BD. PTD.	GYP. BD. PTD.	A.C.T.	
110	EQUIPMENT ROOM	V.C.T.	4" VINYL	GYP. BD. PTD.	GYP. BD. PTD.	GYP. BD. PTD.	GYP. BD. PTD.	A.C.T.	HI-IMPACT GYP. BD.
111	MULTI-PURPOSE ROOM	POLISHED CONC.	4" VINYL	GYP. BD. PTD.	GYP. BD. PTD.	GYP. BD. PTD.	GYP. BD. PTD.	A.C.T.	HI-IMPACT GYP. BD. TO 8'-0" A.F.F.
112	CONCESSIONS	POLISHED CONC.	4" VINYL	PLASTER PTD.	PLASTER PTD.	PLASTER PTD.	PLASTER PTD.	PLASTER PTD.	
113	HALL	POLISHED CONC.	4" VINYL	GYP. BD. PTD.	GYP. BD. PTD.	GYP. BD. PTD.	GYP. BD. PTD.	PLASTER	HI-IMPACT GYP. BD.
114	CORRIDOR	V.C.T.	4" VINYL	GYP. BD. PTD.	GYP. BD. PTD.	GYP. BD. PTD.	GYP. BD. PTD.	A.C.T.	HI-IMPACT GYP. BD.
115	JAN.	SEALED CONC.	4" VINYL	GYP. BD. PTD.	GYP. BD. PTD.	GYP. BD. PTD.	GYP. BD. PTD.	A.C.T.	
116	MEN'S VESTIBULE	CER. TILES	6" CER. TILES	GYP. BD. PTD.	GYP. BD. PTD.	GYP. BD. PTD.	GYP. BD. PTD.	GYP. BD. PTD.	6'-0" C.T. WAINSCOT W/BULLNOSE EDGE
117	MEN'S TOILET	CER. TILES	6" CER. TILES	CEMENT BD.	CEMENT BD.	CEMENT BD.	CEMENT BD.	GYP. BD. PTD.	6'-0" C.T. WAINSCOT W/BULLNOSE EDGE
118	MECH. RM.	SEALED CONC.	4" VINYL	GYP. BD. PTD.	GYP. BD. PTD.	GYP. BD. PTD.	GYP. BD. PTD.	PLASTER PTD.	
119	ELEC. RM.	SEALED CONC.	4" VINYL	GYP. BD. PTD.	GYP. BD. PTD.	GYP. BD. PTD.	GYP. BD. PTD.	PLASTER PTD.	
120	WOMEN'S TOILET	CER. TILES	6" CER. TILES	CEMENT BD.	CEMENT BD.	CEMENT BD.	CEMENT BD.	GYP. BD. PTD.	6'-0" C.T. WAINSCOT W/BULLNOSE EDGE
121	WOMEN'S VESTIBULE	CER. TILES	6" CER. TILES	GYP. BD. PTD.	GYP. BD. PTD.	GYP. BD. PTD.	GYP. BD. PTD.	GYP. BD. PTD.	6'-0" C.T. WAINSCOT W/BULLNOSE EDGE
122	IT ROOM	V.C.T.	4" VINYL	GYP. BD. PTD.	GYP. BD. PTD.	GYP. BD. PTD.	GYP. BD. PTD.	A.C.T.	*4"X8"X3/4" PLYWD. MOUNTED ABOVE BASE

DOOR SCHEDULE

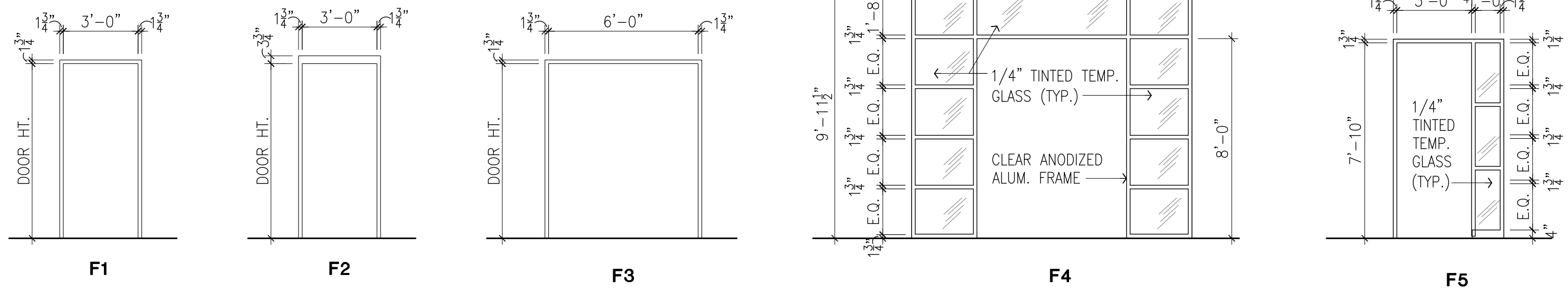
DR. NO.	RM. NO.	DOOR		FRAME			DETAIL			HDWR	LABEL	REMARKS			
		SIZE	THK	TYPE	MATRL	FINISH	TYPE	MATRL	FINISH				HEAD	JAMB	SILL
101A	101	PR 3'-0" x 8'-0"	1 3/4"	D2	ALUM./GLS	ANOD.	F4	ALUM.	---	H4	J4	T1	1	---	CLEAR ANOD. ALUM. FINISH
101B	101	PR 3'-0" x 7'-0"	1 3/4"	D3	H.M.	PTD.	F3	H.M.	PTD.	H5	J5	T1	3	1-1/2 HR - B	* PROVIDE EDGE TILE OR BULLNOSE TILE @ SILL
102A	102	3'-0" x 7'-0"	1 3/4"	D1	H.M.	PTD.	F1	H.M.	PTD.	H1	J1	T3	6	---	
105A	105	3'-0" x 7'-0"	1 3/4"	D1	H.M.	PTD.	F1	H.M.	PTD.	H1	J1	T4	7	---	
106A	106	PR 3'-0" x 7'-10"	1 3/4"	D1	H.M.	PTD.	F3	H.M.	PTD.	H2	J2	T1	13	---	
107A	107	3'-0" x 7'-0"	1 3/4"	D1	H.M.	PTD.	F1	H.M.	PTD.	H1	J1	T5	8	---	1" UNDERCUT
108A	108	3'-0" x 7'-0"	1 3/4"	D3	H.M.	PTD.	F1	H.M.	PTD.	H1	J1	T3	9	---	
109A	109	3'-0" x 7'-0"	1 3/4"	D3	H.M.	PTD.	F1	H.M.	PTD.	H5	J5	T1	7	1-1/2HR - B	
109B	109	3'-0" x 7'-0"	1 3/4"	D3	H.M.	PTD.	F1	H.M.	PTD.	H1	J1	T6	7	---	
110A	110	PR 3'-0" x 7'-0"	1 3/4"	D1	H.M.	PTD.	F3	H.M.	PTD.	H1	J1	T6	5	---	
111A	111	PR 3'-0" x 7'-10"	1 3/4"	D1	H.M.	PTD.	F3	H.M.	PTD.	H2	J2	T1	4	---	
112A	112	3'-0" x 7'-0"	1 3/4"	D1	H.M.	PTD.	F1	H.M.	PTD.	H2	J2	---	10	---	
112B	112	8'-4" x 5'-0"	3/4"	D5	METAL	PTD.	---	---	PTD.	---	---	---	---	---	ROLL-UP COILING DOOR - HURRICANE RESISTANT
112C	112	4'-4" x 5'-0"	3/4"	D6	METAL	PTD.	---	---	PTD.	---	---	---	---	---	ROLL-UP COILING DOOR
113A	113	3'-0" x 7'-10"	1 3/4"	D1	H.M.	PTD.	F5	H.M.	PTD.	H2	J2	T1	11	---	
114A	114	3'-0" x 7'-10"	1 3/4"	D1	H.M.	PTD.	F1	H.M.	PTD.	H2	J2	T1	11	---	
114B	114	3'-0" x 7'-0"	1 3/4"	D4	H.M.	PTD.	F1	H.M.	PTD.	H2	J2	T6	7	---	
115A	115	3'-0" x 7'-0"	1 3/4"	D1	H.M.	PTD.	F1	H.M.	PTD.	H2	J2	T-5	7	3/4" HR - C	
116A	116	3'-0" x 7'-0"	1 3/4"	D4	H.M.	PTD.	F1	H.M.	PTD.	H1	J1	T5	12	---	
118A	118	PR 3'-0" x 7'-10"	1 3/4"	D1	H.M.	PTD.	F3	H.M.	PTD.	H2	J2	T1	13	---	
119A	119	3'-0" x 7'-10"	1 3/4"	D1	H.M.	PTD.	F1	H.M.	PTD.	H2	J2	T1	2	---	
121A	121	3'-0" x 7'-0"	1 3/4"	D4	H.M.	PTD.	F1	H.M.	PTD.	H1	J1	T5	12	---	
122A	122	PR 3'-0" x 7'-0"	1 3/4"	D1	H.M.	PTD.	F3	H.M.	PTD.	H1	J1	T6	5	---	



WINDOW TYPES

SCALE: 1/4" = 1'-0"

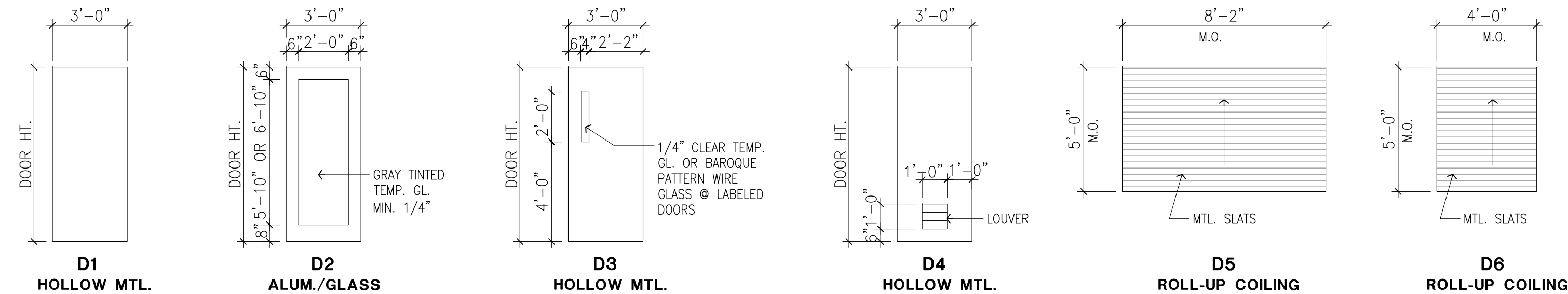
NOTE: ALL WINDOWS W1, W2 AND W3 SHALL BE PROTECTED WITH HURRICANE RESISTANT ACCORDION SHUTTERS.



FRAME TYPES

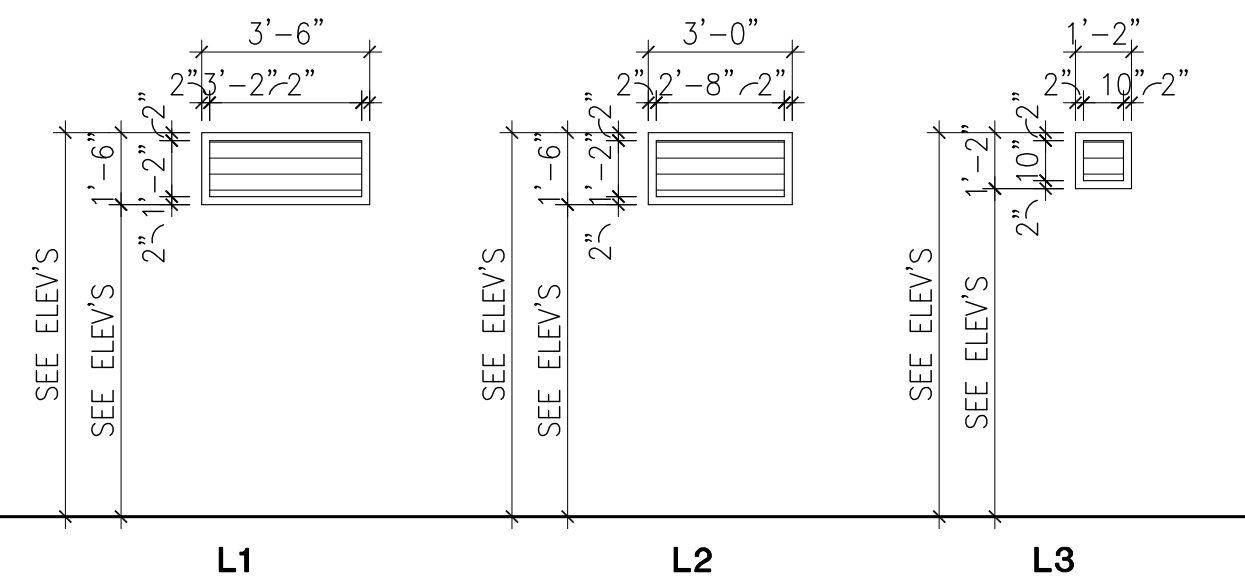
SCALE: 1/4" = 1'-0"

NOTE: FRAME TYPES F4 AND F5 SHALL BE PROTECTED WITH HURRICANE RESISTANT ACCORDION SHUTTERS



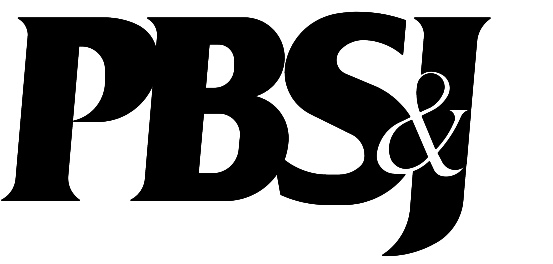
DOOR TYPES

SCALE: 1/4" = 1'-0"



LOUVER TYPES

SCALE: 1/4" = 1'-0"



2001 NW 107TH AVE.
MIAMI, FL 33172-2507
PHONE: 305.592.7275 FAX: 305.597.0229
FBPR CERTIFICATE OF AUTHORIZATION No.: 24

CONSULTANT:



STATE OF FLORIDA
CERTIFICATE OF AUTHORIZATION
NUMBER: 4290

CLIENT / PROJECT NAME:



CITY OF MIAMI
ROBERT KING HIGH PARK
NEW BUILDING & SITE IMPROVEMENTS
7025 W. FLAGLER STREET, MIAMI, FLORIDA

GENERAL NOTES:

SHEET ISSUE:

NO.	DATE	DESCRIPTION
2	03/03/08	AS PER OWNERS COMMENTS
5	08/12/09	ADDENDUM

MARK DATE DESCRIPTION

PROFESSIONAL SEAL:

ARCHITECT OF RECORD:
CRISTINA FANDINO
REG. NO.: 0014682

NOT VALID FOR CONSTRUCTION
UNLESS SIGNED IN THIS BOX

SHEET TITLE:

SCHEDULES AND DOOR, FRAME
AND WINDOW TYPES

SHEET INFORMATION:

JOB NO.:	011524.01	DATE ISSUED:	05/22/09
FILE NAME:	SHEET NUMBER:		
DRAWN BY:	E.D.		
CHECKED BY:	S.J.		
QC REVIEW:	C.A.		

A602