

WINDOW SCHEDULE

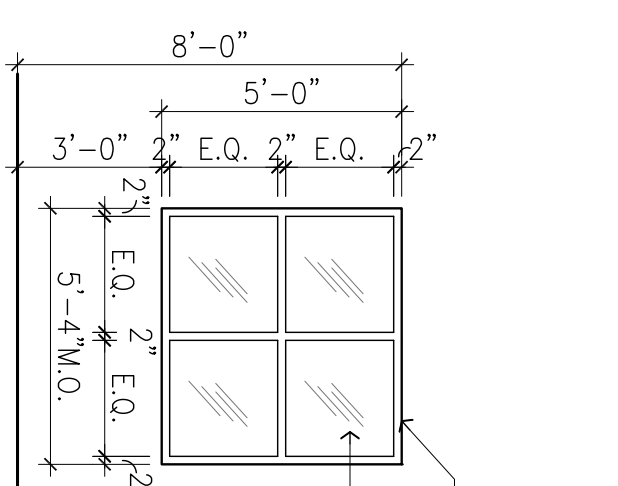
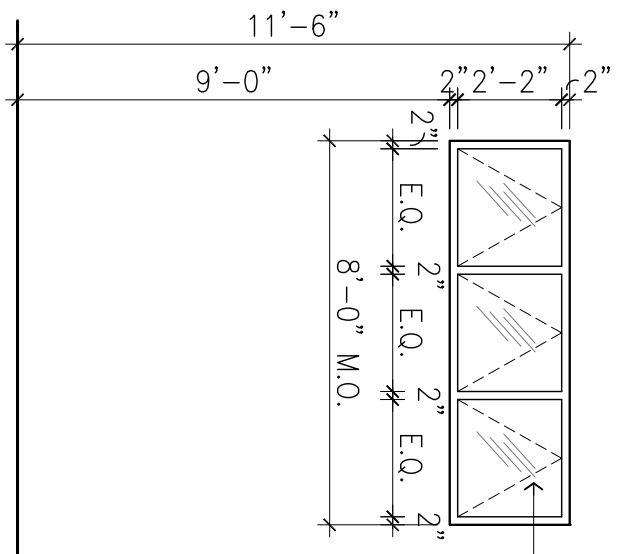
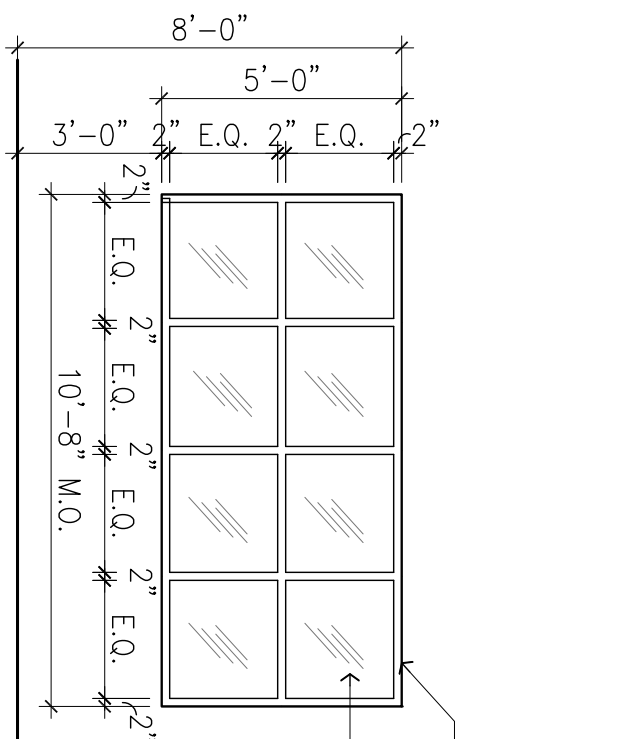
WINDOW TYPE	SIZE	DESCRIPTION	REMARKS
W1	128" X 60"	FIXED ALUM./GLASS	CLEAR ANODIZED FRAMES
W2	96" X 30"	AMING WINDOWS	CLEAR ANODIZED FRAMES
W3	60" X 64"	FIXED ALUM./GLASS	CLEAR ANODIZED FRAMES

ROOM FINISH SCHEDULE

ROOM NO.	ROOM NAME	F.L.R. FINL.	BASE	WALLS				CEILING		REMARKS
				N	S	E	W	FIN	FIN	
101	LOBBY	PORCELAIN TILES	4" PORCELAIN BALUNSC	GRP. BD. PTD.	GRP. BD. PTD.	GRP. BD. PTD.	GRP. BD. PTD.	ACT./GRP. BD. PTD.	ACT.	ALIGN TILE FLOOR & BASE GROUP LINES
102	OFFICE	CARPET	4" V.WVL	GRP. BD. PTD.	GRP. BD. PTD.	GRP. BD. PTD.	GRP. BD. PTD.	ACT.	---	ALIGN TILE FLOOR & BASE GROUP LINES
103	OPEN OFFICES	PORCELAIN TILES	4" PORCELAIN BALUNSC	GRP. BD. PTD.	GRP. BD. PTD.	GRP. BD. PTD.	GRP. BD. PTD.	ACT.	---	ALIGN TILE FLOOR & BASE GROUP LINES
104	CORRIDOR	PORCELAIN TILES	4" PORCELAIN BALUNSC	GRP. BD. PTD.	GRP. BD. PTD.	GRP. BD. PTD.	GRP. BD. PTD.	ACT.	---	---
105	SUPPLY ROOM	V.C.T.	4" V.WVL	GRP. BD. PTD.	GRP. BD. PTD.	GRP. BD. PTD.	GRP. BD. PTD.	PASTER PTD.	---	---
106	MECH. RM.	SEALED CONC.	4" V.WVL	GRP. BD. PTD.	GRP. BD. PTD.	GRP. BD. PTD.	GRP. BD. PTD.	PASTER PTD.	---	---
107	TOILET ROOM	CER. TILES	6" CER. TILES	CER. TILE ON CEM. BD. OR GRP. BD.	CER. TILE ON CEM. BD. OR GRP. BD.	CER. TILE ON CEM. BD. OR GRP. BD.	CER. TILE ON CEM. BD. OR GRP. BD.	GRP. BD. PTD.	---	6'-0" C.T. WANSKOT
108	CONFERENCE ROOM	CARPET	4" V.WVL	GRP. BD. PTD.	GRP. BD. PTD.	GRP. BD. PTD.	GRP. BD. PTD.	ACT./GRP. BD. PTD.	---	---
109	CLASSROOM	V.C.T.	4" V.WVL	GRP. BD. PTD.	GRP. BD. PTD.	GRP. BD. PTD.	GRP. BD. PTD.	ACT.	---	---
110	EQUIPMENT ROOM	V.C.T.	4" V.WVL	GRP. BD. PTD.	GRP. BD. PTD.	GRP. BD. PTD.	GRP. BD. PTD.	ACT.	---	---
111	MULTI-PURPOSE ROOM	POLISHED CONC.	4" V.WVL	GRP. BD. PTD.	GRP. BD. PTD.	GRP. BD. PTD.	GRP. BD. PTD.	ACT.	---	H-HIMPACT GRP. BD. TO 8'-0" AFF.F.
112	CONCESSIONS	POLISHED CONC.	4" V.WVL	GRP. BD. PTD.	GRP. BD. PTD.	GRP. BD. PTD.	GRP. BD. PTD.	PASTER PTD.	---	---
113	HALL	POLISHED CONC.	4" V.WVL	GRP. BD. PTD.	GRP. BD. PTD.	GRP. BD. PTD.	GRP. BD. PTD.	PASTER	---	H-HIMPACT GRP. BD.
114	CORRIDOR	V.C.T.	4" V.WVL	GRP. BD. PTD.	GRP. BD. PTD.	GRP. BD. PTD.	GRP. BD. PTD.	ACT.	---	H-HIMPACT GRP. BD.
115	JAN	SEALED CONC.	4" V.WVL	GRP. BD. PTD.	GRP. BD. PTD.	GRP. BD. PTD.	GRP. BD. PTD.	ACT.	---	---
116	MEN'S VESTIBULE	CER. TILES	6" CER. TILES	GRP. BD. PTD.	GRP. BD. PTD.	GRP. BD. PTD.	GRP. BD. PTD.	GRP. BD. PTD.	---	6'-0" C.T. WANSKOT W/BALUNSC EDGE
117	MEN'S TOILET	CER. TILES	6" CER. TILES	CEMENT BO.	CEMENT BO.	CEMENT BO.	CEMENT BO.	GRP. BD. PTD.	---	6'-0" C.T. WANSKOT W/BALUNSC EDGE
118	MCH. RM.	SEALED CONC.	4" V.WVL	GRP. BD. PTD.	GRP. BD. PTD.	GRP. BD. PTD.	GRP. BD. PTD.	GRP. BD. PTD.	---	---
119	ELEC. RM.	SEALED CONC.	4" V.WVL	GRP. BD. PTD.	GRP. BD. PTD.	GRP. BD. PTD.	GRP. BD. PTD.	GRP. BD. PTD.	---	---
120	WOMEN'S TOILET	CER. TILES	6" CER. TILES	CEMENT BO.	CEMENT BO.	CEMENT BO.	CEMENT BO.	GRP. BD. PTD.	---	6'-0" C.T. WANSKOT W/BALUNSC EDGE
121	WOMEN'S VESTIBULE	CER. TILES	6" CER. TILES	GRP. BD. PTD.	GRP. BD. PTD.	GRP. BD. PTD.	GRP. BD. PTD.	GRP. BD. PTD.	---	6'-0" C.T. WANSKOT W/BALUNSC EDGE
122	IT ROOM	V.C.T.	4" V.WVL	GRP. BD. PTD.	GRP. BD. PTD.	GRP. BD. PTD.	GRP. BD. PTD.	ACT.	---	**4"X8"X3/4" P.W.M.D. MOUNTED ABOVE BASE

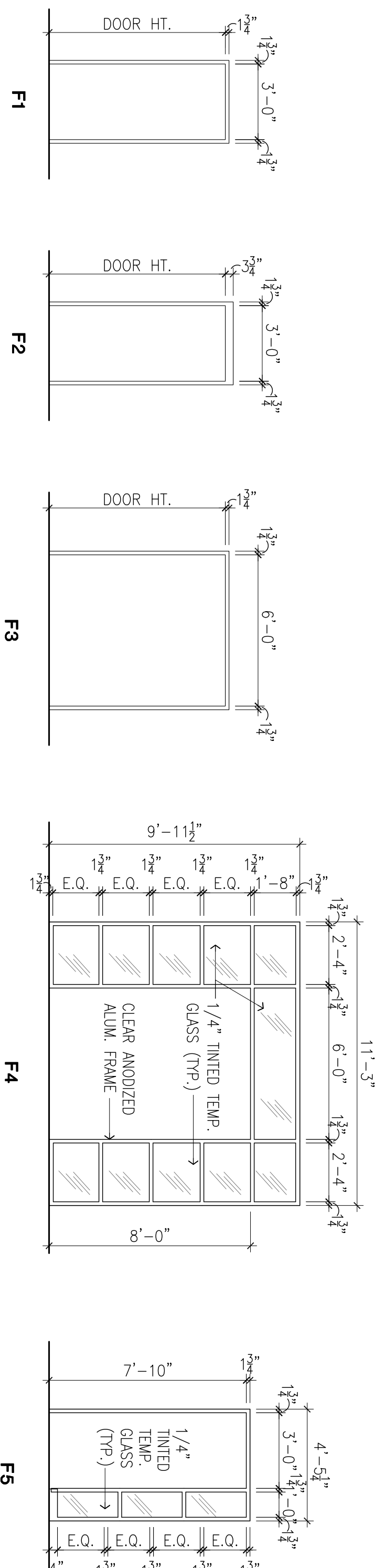
DOOR SCHEDULE

DR. NO.	RM. NO.	SIZE	DOOR		FRAME		DETAIL		HDWR	LABEL	REMARKS				
			THK	TYPE	MATL	FINISH	TYPE	MATL				FINISH	HEAD	JAMB	SILL
101A	101	FR 3'-0" x 8'-0"	1 3/4"	D2	ALUM./GLS	ANOD.	F4	ALUM.	---	H4	J4	T1	1	---	CLEAR ANOD. ALUM. FINISH
101B	101	FR 3'-0" x 7'-0"	1 3/4"	D3	H.M.	PTD.	F3	H.M.	PTD.	H5	J5	T1	3	1-1/2" HR - B	CLEAR ANOD. ALUM. FINISH
102A	102	3'-0" x 7'-0"	1 3/4"	D1	H.M.	PTD.	F1	H.M.	PTD.	H1	J1	T1	6	---	---
102B	102	3'-0" x 7'-0"	1 3/4"	D1	H.M.	PTD.	F1	H.M.	PTD.	H1	J1	T1	6	---	---
103A	103	3'-0" x 7'-0"	1 3/4"	D1	H.M.	PTD.	F1	H.M.	PTD.	H1	J1	T1	6	---	---
103B	103	3'-0" x 7'-0"	1 3/4"	D1	H.M.	PTD.	F1	H.M.	PTD.	H1	J1	T1	6	---	---
104A	104	3'-0" x 7'-0"	1 3/4"	D3	H.M.	PTD.	F3	H.M.	PTD.	H1	J1	T1	9	---	---
104B	104	3'-0" x 7'-0"	1 3/4"	D3	H.M.	PTD.	F3	H.M.	PTD.	H1	J1	T1	9	---	---
109A	109	3'-0" x 7'-0"	1 3/4"	D3	H.M.	PTD.	F3	H.M.	PTD.	H5	J5	T1	7	1-1/2" HR - B	---
109B	109	3'-0" x 7'-0"	1 3/4"	D3	H.M.	PTD.	F3	H.M.	PTD.	H1	J1	T1	7	---	---
110A	110	FR 3'-0" x 7'-0"	1 3/4"	D1	H.M.	PTD.	F3	H.M.	PTD.	H1	J1	T1	5	---	---
110B	110	FR 3'-0" x 7'-0"	1 3/4"	D1	H.M.	PTD.	F3	H.M.	PTD.	H1	J1	T1	4	---	---
111A	111	FR 3'-0" x 7'-0"	1 3/4"	D1	H.M.	PTD.	F3	H.M.	PTD.	H2	J2	T1	10	---	---
111B	111	FR 3'-0" x 7'-0"	1 3/4"	D1	H.M.	PTD.	F3	H.M.	PTD.	H2	J2	T1	10	---	---
112A	112	8'-4" x 5'-0"	3/4"	D5	METAL	---	---	---	---	---	---	---	---	---	ROLL-UP COILING DOOR - HURRICANE RESISTANT
112B	112	8'-4" x 5'-0"	3/4"	D5	METAL	---	---	---	---	---	---	---	---	---	ROLL-UP COILING DOOR - HURRICANE RESISTANT
112C	112	4'-4" x 5'-0"	3/4"	D6	METAL	---	---	---	---	---	---	---	---	---	ROLL-UP COILING DOOR - HURRICANE RESISTANT
113A	113	3'-0" x 7'-10"	1 3/4"	D1	H.M.	PTD.	F5	H.M.	PTD.	H2	J2	T1	11	---	---
113B	113	3'-0" x 7'-10"	1 3/4"	D1	H.M.	PTD.	F5	H.M.	PTD.	H2	J2	T1	11	---	---
114A	114	3'-0" x 7'-10"	1 3/4"	D1	H.M.	PTD.	F1	H.M.	PTD.	H2	J2	T1	11	---	---
114B	114	3'-0" x 7'-10"	1 3/4"	D1	H.M.	PTD.	F1	H.M.	PTD.	H2	J2	T1	11	---	---
115A	115	3'-0" x 7'-0"	1 3/4"	D1	H.M.	PTD.	F1	H.M.	PTD.	H2	J2	T1	7	3/4" HR - C	---
115B	115	3'-0" x 7'-0"	1 3/4"	D1	H.M.	PTD.	F1	H.M.	PTD.	H2	J2	T1	12	---	---
116A	116	3'-0" x 7'-0"	1 3/4"	D4	H.M.	PTD.	F3	H.M.	PTD.	H1	J1	T1	13	---	---
116B	116	3'-0" x 7'-0"	1 3/4"	D4	H.M.	PTD.	F3	H.M.	PTD.	H2	J2	T1	13	---	---
118A	118	FR 3'-0" x 7'-10"	1 3/4"	D1	H.M.	PTD.	F3	H.M.	PTD.	H2	J2	T1	2	---	---
118B	118	FR 3'-0" x 7'-10"	1 3/4"	D1	H.M.	PTD.	F3	H.M.	PTD.	H2	J2	T1	2	---	---
119A	119	3'-0" x 7'-10"	1 3/4"	D4	H.M.	PTD.	F3	H.M.	PTD.	H1	J1	T1	15	---	---
119B	119	3'-0" x 7'-10"	1 3/4"	D4	H.M.	PTD.	F3	H.M.	PTD.	H1	J1	T1	15	---	---
121A	121	FR 3'-0" x 7'-0"	1 3/4"	D1	H.M.	PTD.	F3	H.M.	PTD.	H1	J1	T1	16	---	---
121B	121	FR 3'-0" x 7'-0"	1 3/4"	D1	H.M.	PTD.	F3	H.M.	PTD.	H1	J1	T1	16	---	---
122A	122	FR 3'-0" x 7'-0"	1 3/4"	D1	H.M.	PTD.	F3	H.M.	PTD.	H1	J1	T1	5	---	---



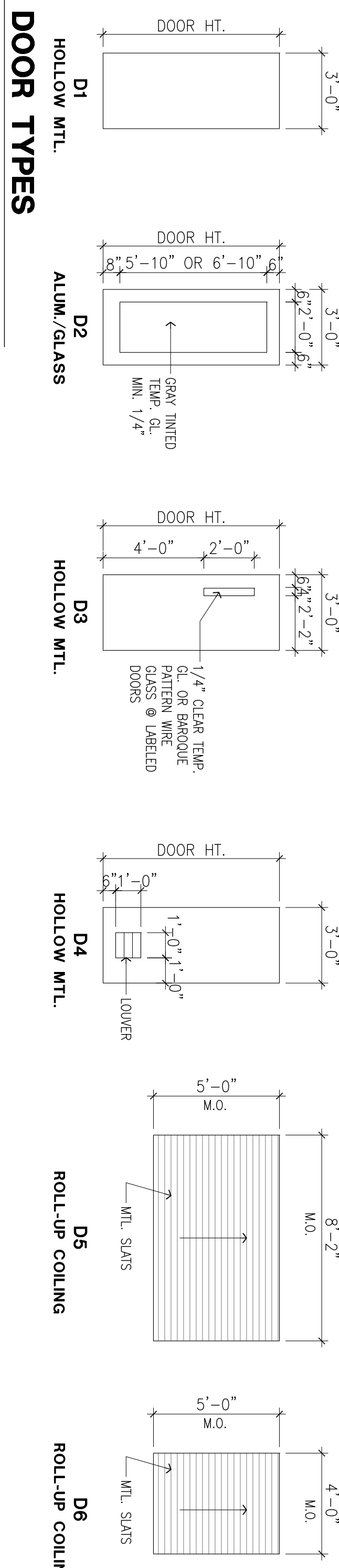
WINDOW TYPES

NOTE: ALL WINDOWS W1, W2 AND W3 SHALL BE PROTECTED WITH HURRICANE RESISTANT ACCORDION SHUTTERS.



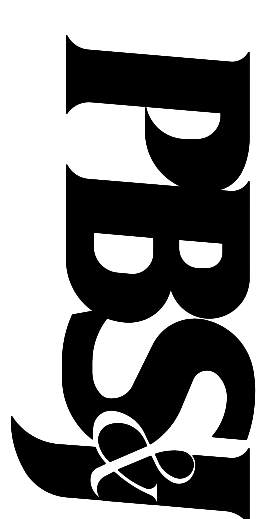
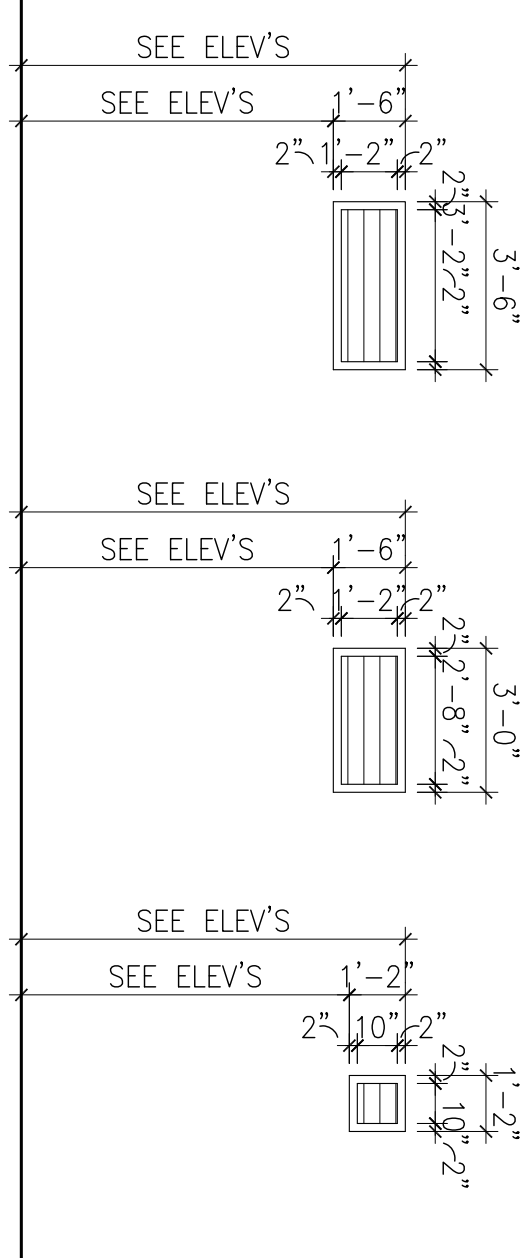
FRAME TYPES

NOTE: FRAME TYPES F4 AND F5 SHALL BE PROTECTED WITH HURRICANE RESISTANT ACCORDION SHUTTERS.

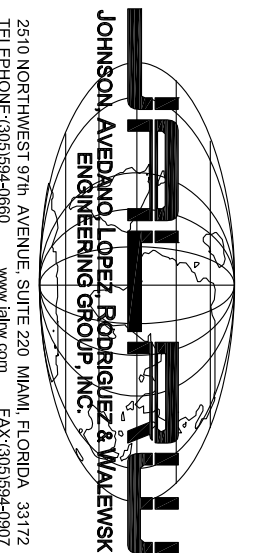


LOUVER TYPES

SCALE: 1/4" = 1'-0"



2001 NW 107TH AVE.
MIAMI, FL 33172-2507
PHONE: 305.592.7275 FAX: 305.597.0229
FBR CERTIFICATE OF AUTHORIZATION No. 24



STATE OF FLORIDA
CERTIFICATE OF AUTHORIZATION
NUMBER: 4280



CITY OF MIAMI
ROBERT KING HIGH PARK
NEW BUILDING & SITE IMPROVEMENTS
7025 W. FLAGLER STREET, MIAMI, FLORIDA

GENERAL NOTES:

SHEET INFORMATION:	
JOB NO.:	011524.01
DATE ISSUED:	05/22/09
FILE NAME:	AS PER OWNERS COMMENTS
DRAWN BY:	ED.
CHECKED BY:	S.J.
CC REVIEW:	CA

SHEET TITLE:
SCHEDULES AND DOOR, FRAME AND WINDOW TYPES

NOT VALID FOR CONSTRUCTION UNLESS SIGNED IN THIS BOX

MARK DATE DESCRIPTION
PROFESSIONAL SEAL:
ARCHITECT OF RECORD:
CRISTINA FANDINO
REG. NO.: 0014692